

Incremental encoders

Solid shaft $\varnothing 6$ mm with synchro flange

1000...10000 pulses per revolution

ITD 21 B14 Y 1



ITD 21 B14 Y 1 with synchro flange

Technical data - electrical ratings

Voltage supply	5 VDC ± 5 % 8...30 VDC
Reverse polarity protection	Yes
Consumption w/o load	≤ 100 mA
Pulses per revolution	1000...10000
Reference signal	Zero pulse, width 90°
Sensing method	Optical
Output frequency	≤ 300 kHz (TTL) ≤ 160 kHz (HTL)
Output signals	A, B, N + inverted
Output stage	TTL linedriver (short-circuit proof) HTL push-pull (short-circuit proof)
Interference immunity	DIN EN 61000-6-2
Emitted interference	DIN EN 61000-6-3

Features

- Encoder with solid shaft $\varnothing 6$ mm
- Max. 10000 pulses per revolution
- Optical sensing
- Centering alignment $\varnothing 50$ mm, mounting screw hole circle $\varnothing 68$ mm
- Industrial standard
- TTL or HTL output signals
- Flange socket radial

Optional

- Extended operating temperature range

Technical data - mechanical design

Size (flange)	$\varnothing 58$ mm
Shaft type	$\varnothing 6$ mm solid shaft (synchro flange)
Shaft loading	≤ 20 N axial ≤ 40 N radial
Flange	Synchro flange
Protection DIN EN 60529	IP 65
Operating speed	≤ 12000 rpm
Starting torque	≤ 0.01 Nm (+20 °C)
Materials	Housing: aluminium, black, powder-coated Shaft: stainless steel
Operating temperature	-20...+70 °C -20...+100 °C
Relative humidity	90 % non-condensing
Resistance	DIN EN 60068-2-6 Vibration 10 g, 55-2000 Hz DIN EN 60068-2-27 Shock 30 g, 11 ms
Connection	Connector M23 type 2, 12-pin
Weight approx.	240 g

Incremental encoders

Solid shaft $\varnothing 6$ mm with synchro flange

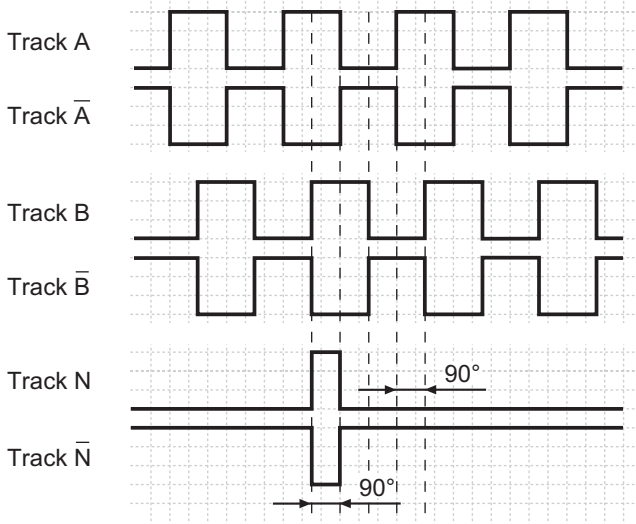
1000...10000 pulses per revolution

ITD 21 B14 Y 1

Output signals

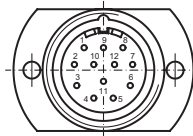
Clockwise rotation when looking at the mounting side.

NI-Output signals



Terminal assignment

Connector	Assignment
Pin 5	Track A
Pin 6	Track A inv.
Pin 8	Track B
Pin 1	Track B inv.
Pin 3	Track N
Pin 4	Track N inv.
Pin 12	UB
Pin 10	GND
Pin 2	UB-Sense
Pin 11	GND-Sense
Pin 9	-
Pin 7	-



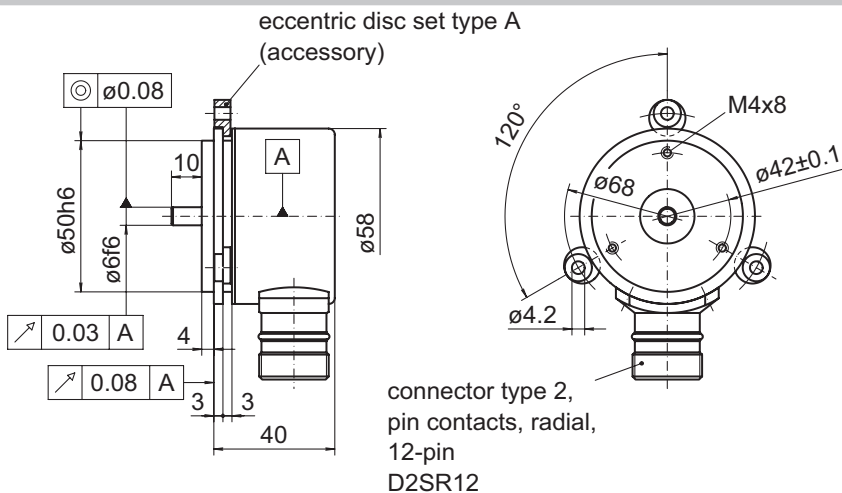
Trigger level

Outputs	Linedriver
Output level High	≥ 2.4 V
Output level Low	≤ 0.5 V
Load	≤ 70 mA

Outputs

Outputs	Push-pull short-circuit proof
Output level High	$\geq UB - 3$ V
Output level Low	≤ 1.5 V
Load	≤ 70 mA

Dimensions



027- 4 Y 1

Incremental encoders

Solid shaft $\varnothing 6$ mm with synchro flange
1000...10000 pulses per revolution

ITD 21 B14 Y 1
